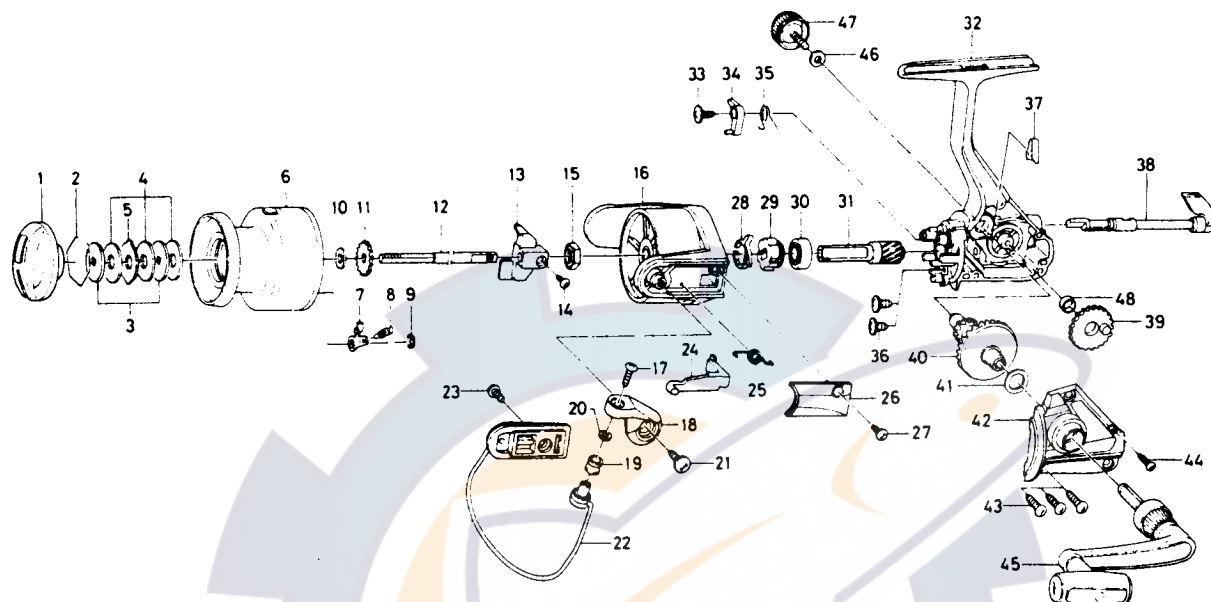


SPINNING REEL — AG2000XB



Key No. 2-9

E49-3101 Spool assembly 8.00

Key No.	Part No.	Part Name	Price	Key No.	Part No.	Part Name	Price
1	E48-5802	Drag knob	3.95	25	F12-8901	Bail spring	.60
2	171-7701	Drag washer retainer	.35	26	E46-2201	Bail spring cover	.65
3	F09-4901	Key washer	.90	27	E36-4202	Bail spring cover screw	.60
4	E13-6003	Drag washer	1.60	28	E46-2001	Anti-reverse pawl spring A	.75
5	373-3603	Eared washer	.60	29	E46-1901	Anti-reverse ratchet	.75
6	E49-3201	Spool assembly	N/A	30	L03-6502	Ball bearing	7.85
7	B07-5304	Click pawl	.70	31	E46-1101	Pinion gear	1.90
8	E40-3101	Click spring	.70	32	F11-0802	Body assembly	6.50
9	320-5901	Click retainer	.50	33	E00-7101	Anti-reverse pawl screw	.45
10	F09-4701	Spool washer	.70	34	E46-1301	Anti-reverse pawl	.80
11	E46-2701	Click gear	.70	35	E46-1201	Anti-reverse pawl spring B	.60
12	E48-5301	Main shaft	1.95	36	E03-7801	Bearing retainer screw	.60
13	F09-1301	Oscillating slider	.70	37	E32-7801	Anti-reverse cam spring	.70
14	352-1502	Oscillating slider screw	.60	38	F08-5105	Anti-reverse lever	2.25
15	340-6602	Rotor nut	.65	39	E46-1501	Oscillating gear	.75
16	F10-7202	Rotor	3.80	40	E46-1701	Drive gear	3.00
17	B67-9304	Line roller screw	.40	41	373-7808	Drive gear washer	.40
18	E45-1701	Bail arm	1.20	42	F10-7106	Side cover	2.80
19	L01-8201	Line roller	.90	43	B83-5002	Side cover screw A	.60
20	B55-4301	Line roller washer	.40	44	E15-8602	Side cover screw B	.60
21	E00-7101	Bail arm screw	.45	45	L01-1102	Handle assembly	7.00
22	F10-6801	Bail assembly	4.50	46	B92-4902	Handle lock washer	.35
23	L01-1702	Bail trip cam screw	.35	47	B92-5001	Handle lock screw	.80
24	E46-3101	Bail trip lever	1.00	48	F13-1601	Oscillating gear collar	.50